

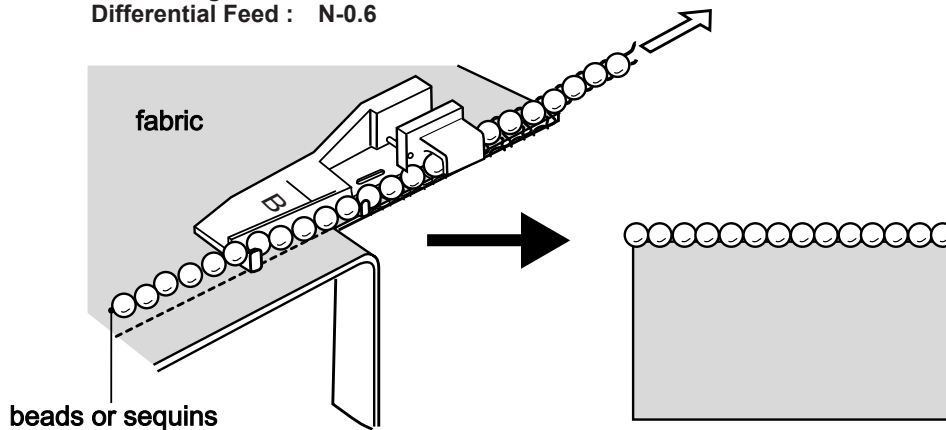
**Beading Foot**

Item No: B5002-04A-C-E (BLE8-BF)

(This foot is available for max. 4mm beads, sequins or ribbon and is available for right needle only)

**① On Fabric Edge**

- Needle : O2
- Upper Knife : Engaged "UNLOCKED"
- Stitch Type : 3-Thread Rolled Hem
- Stitch Selector : D
- Stitch Width : M
- Stitch Length : 3-4 Rolled Hem
- Differential Feed : N-0.6



**② Flatlock-On Fold**

- Needle : O2
- Upper Knife : Disengaged "LOCKED"
- Stitch Type : 2-Thread Rolled Hem
- Stitch Selector : D
- Stitch Width : M
- Stitch Length : 3-4 Rolled Hem
- Differential Feed : N-0.6

