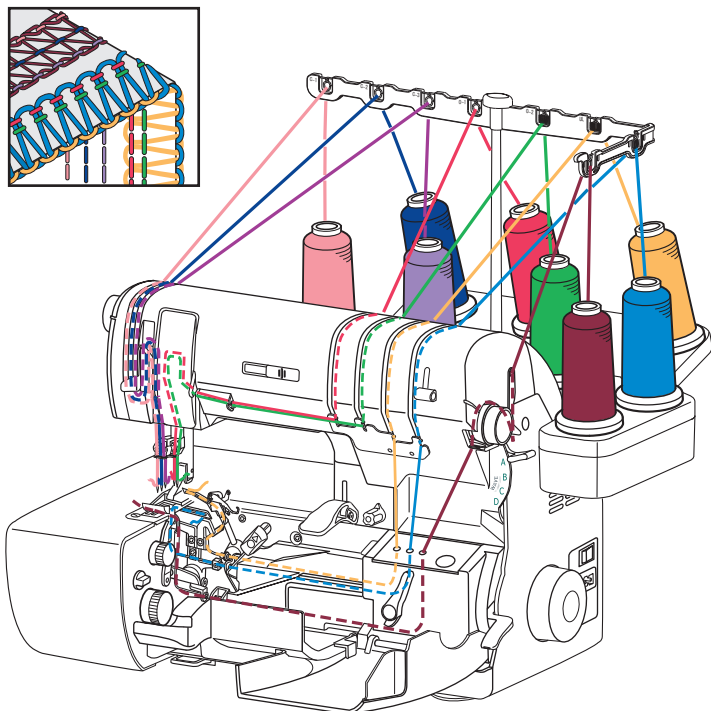


## COMBINATION

### 8-Thread

Triple Cover + 4-Thread Overlock

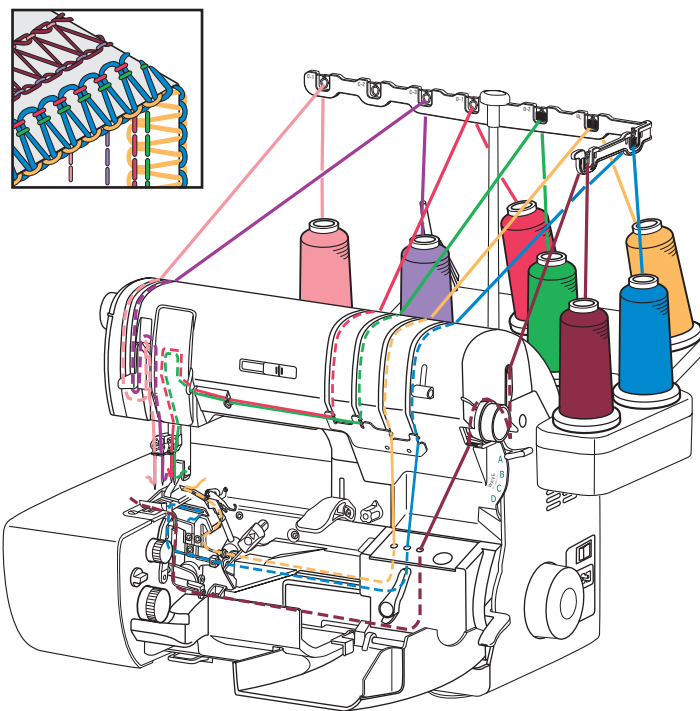
					Length 2.5-4.0	Width 7.5	Stitch Selector A	Wave Selector OVERLOCK	Chain Needle Tension 4-6	Chain Looper Tension COVER
Upper Looper Selector down <b>up</b>		Blade Position up		Knife Cover 		Subsidiary Looper 				



### 7-Thread

Cover Stitch Wide + 4-Thread Overlock

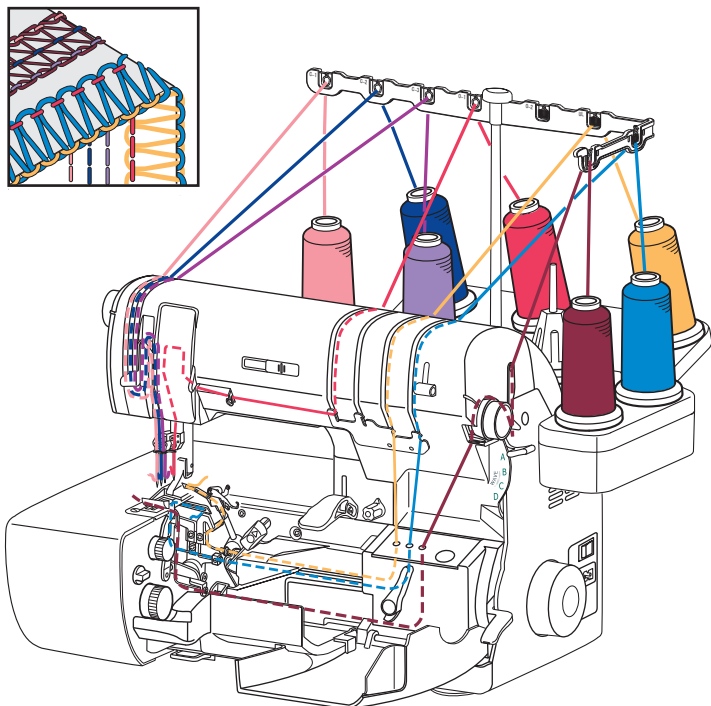
					Length 2.5-4.0	Width 7.5	Stitch Selector A	Wave Selector OVERLOCK	Chain Needle Tension 4-6	Chain Looper Tension COVER
Upper Looper Selector down <b>up</b>		Blade Position up		Knife Cover 		Subsidiary Looper 				



### 7-Thread

Triple Cover + 3-Thread Overlock Wide

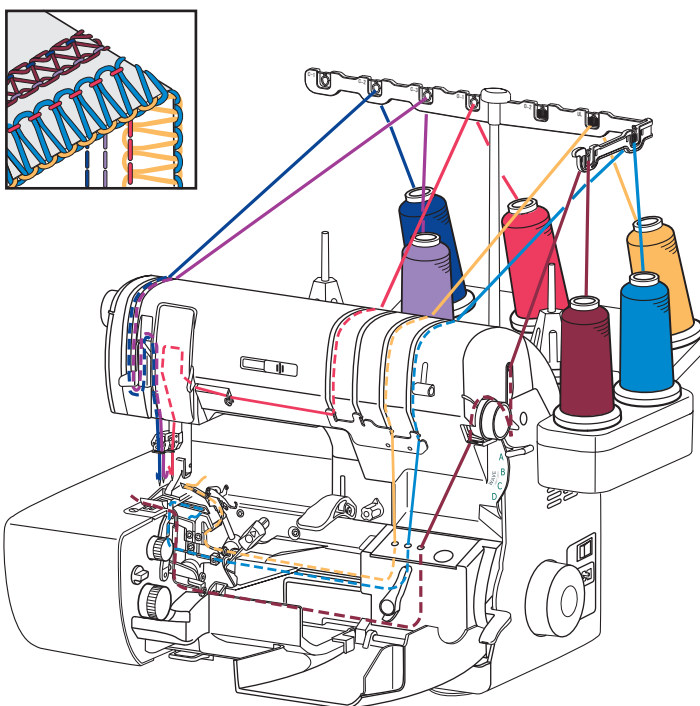
					Length 2.5-4.0	Width 7.5	Stitch Selector A	Wave Selector OVERLOCK	Chain Needle Tension 4-6	Chain Looper Tension COVER
Upper Looper Selector down <b>up</b>		Blade Position up		Knife Cover 		Subsidiary Looper 				



### 6-Thread

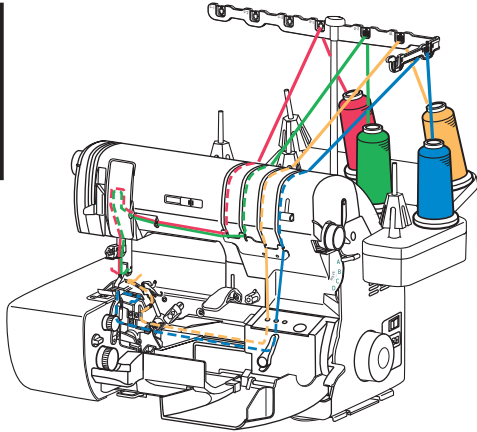
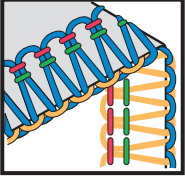
Cover Narrow Right + 3-Thread Overlock Wide

					Length 2.5-4.0	Width 7.5	Stitch Selector A	Wave Selector OVERLOCK	Chain Needle Tension 4-6	Chain Looper Tension COVER
Upper Looper Selector down <b>up</b>		Blade Position up		Knife Cover 		Subsidiary Looper 				



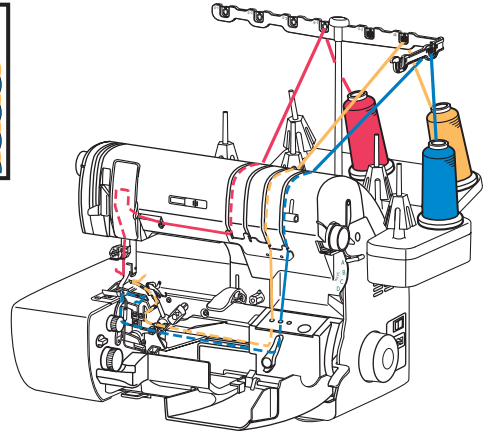
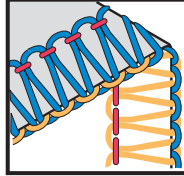
### 4-Thread Overlock

C1	C2	C3	O1	O2	Length	Width	Stitch Selector	Wave Selector	Chain Needle Tension	Chain Looper Tension
					2.5-4.0	6.5-7.5	A	OVERLOCK	—	—
Upper Looper Selector down		up		Blade Position up		Knife Cover		Subsidiary Looper		



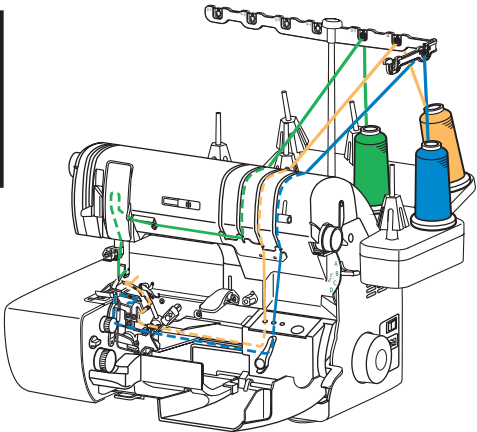
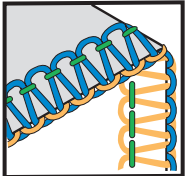
### 3-Thread Overlock-Wide

C1	C2	C3	O1	O2	Length	Width	Stitch Selector	Wave Selector	Chain Needle Tension	Chain Looper Tension
					2-4	7.5	A	OVERLOCK	—	—
Upper Looper Selector down		up		Blade Position up		Knife Cover		Subsidiary Looper		



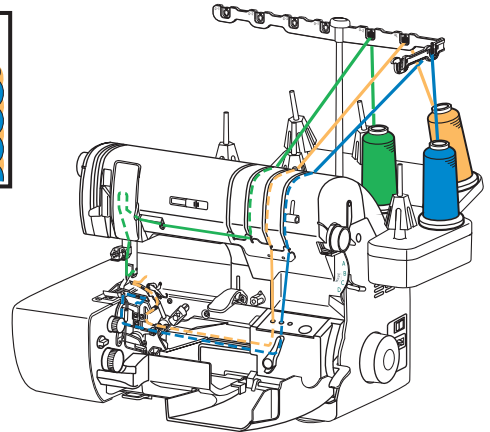
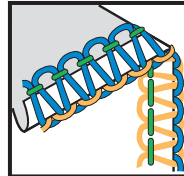
### 3-Thread Overlock-Narrow

C1	C2	C3	O1	O2	Length	Width	Stitch Selector	Wave Selector	Chain Needle Tension	Chain Looper Tension
					2-4	3.0	B	OVERLOCK	—	—
Upper Looper Selector down		up		Blade Position up		Knife Cover		Subsidiary Looper		



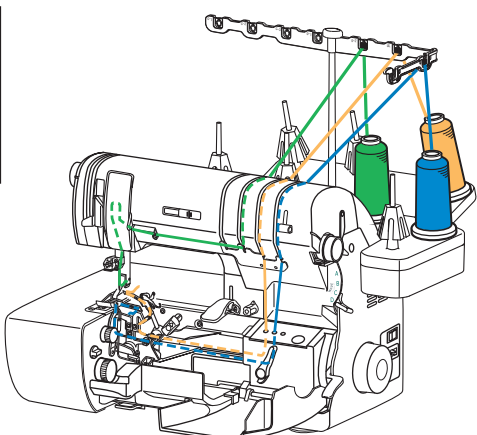
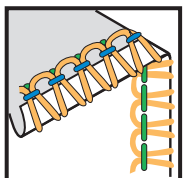
### 3-Thread Overlock-Narrow Hem

C1	C2	C3	O1	O2	Length	Width	Stitch Selector	Wave Selector	Chain Needle Tension	Chain Looper Tension
					0.75-4.0R	3.0	C	OVERLOCK	—	—
Upper Looper Selector down		up		Blade Position up		Knife Cover		Subsidiary Looper		



### 3-Thread Overlock-Rolled Edge

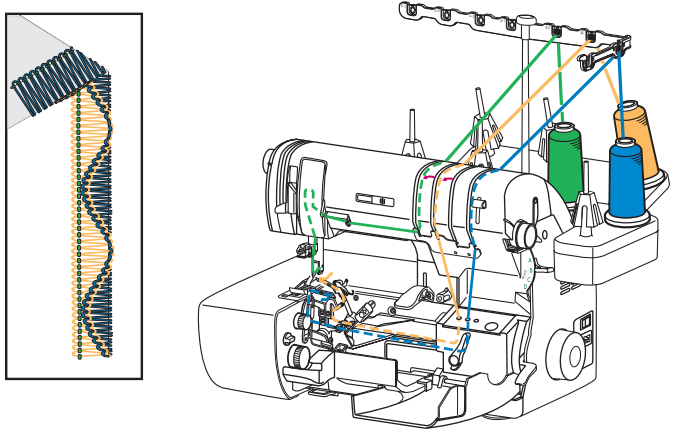
C1	C2	C3	O1	O2	Length	Width	Stitch Selector	Wave Selector	Chain Needle Tension	Chain Looper Tension
					0.75-4.0R	3.5	D	OVERLOCK	—	—
Upper Looper Selector down		up		Blade Position up		Knife Cover		Subsidiary Looper		



## OVERLOCK

### 3-Thread Wave Stitch

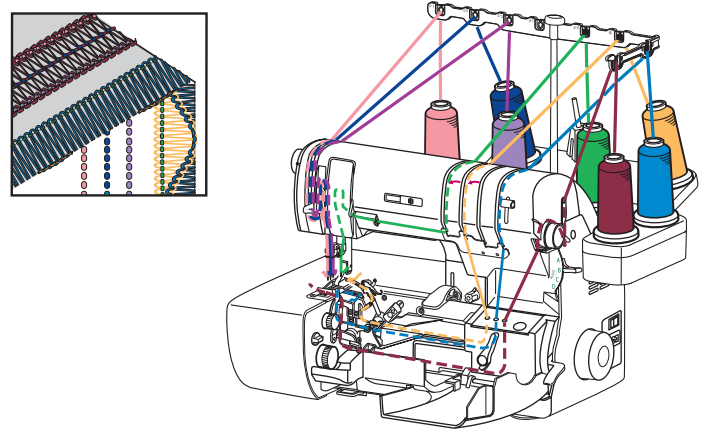
C1	C2	C3	O1	O2	Length 0.75-2.5	Width 5.0	Stitch Selector B	Wave Selector WAVE	Chain Needle Tension —	Chain Looper Tension —
Upper Looper Selector down		Blade Position up			Knife Cover		Subsidiary Looper			



## COMBINATION

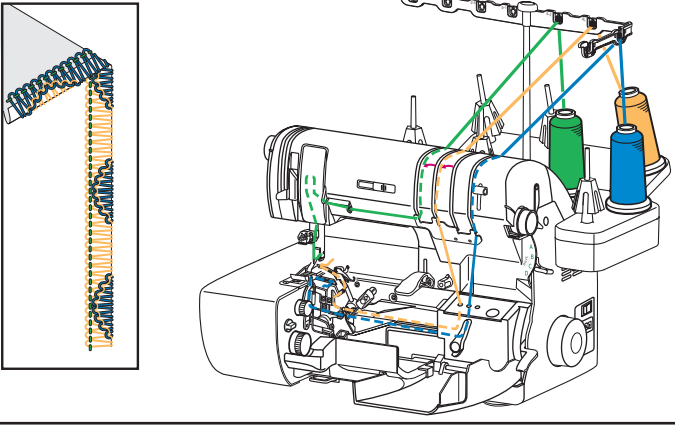
### 7-Thread Triple Cover + 3-Thread Wave Stitch

C1	C2	C3	O1	O2	Length 1.5-2.5	Width 5.0	Stitch Selector B	Wave Selector WAVE	Chain Needle Tension 4-6	Chain Looper Tension COVER
Upper Looper Selector down		Blade Position up			Knife Cover		Subsidiary Looper			



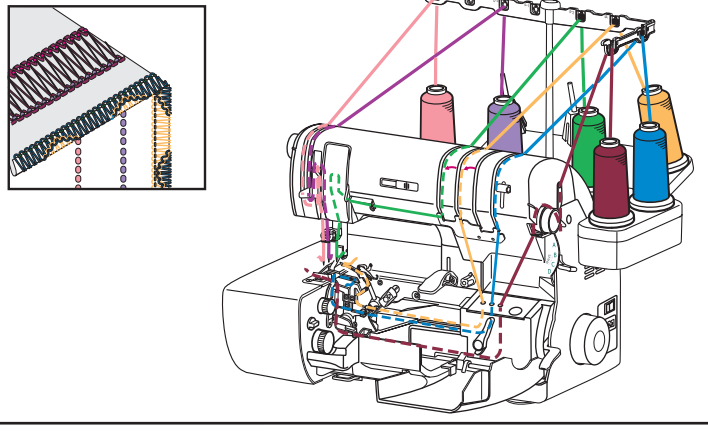
### 3-Thread Rolled Wave Stitch

C1	C2	C3	O1	O2	Length 0.75-1.5R	Width 3.0-5.0	Stitch Selector C	Wave Selector WAVE	Chain Needle Tension —	Chain Looper Tension —
Upper Looper Selector down		Blade Position up			Knife Cover		Subsidiary Looper			



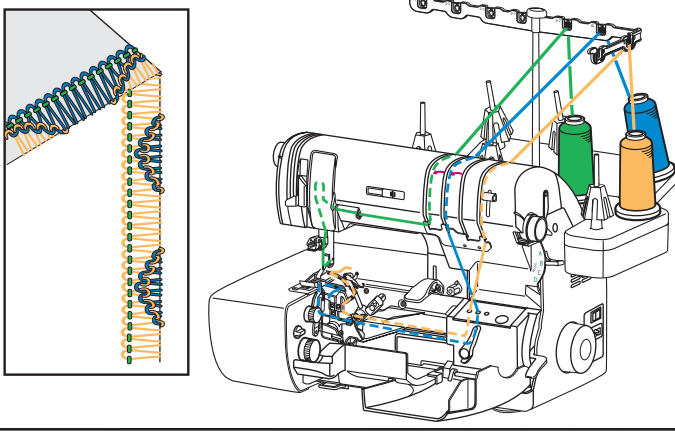
### 6-Thread Cover Stitch Wide + 3-Thread Rolled Wave

C1	C2	C3	O1	O2	Length 1.5-2.0R	Width 3.5	Stitch Selector C	Wave Selector WAVE	Chain Needle Tension 4-6	Chain Looper Tension COVER
Upper Looper Selector down		Blade Position up			Knife Cover		Subsidiary Looper			



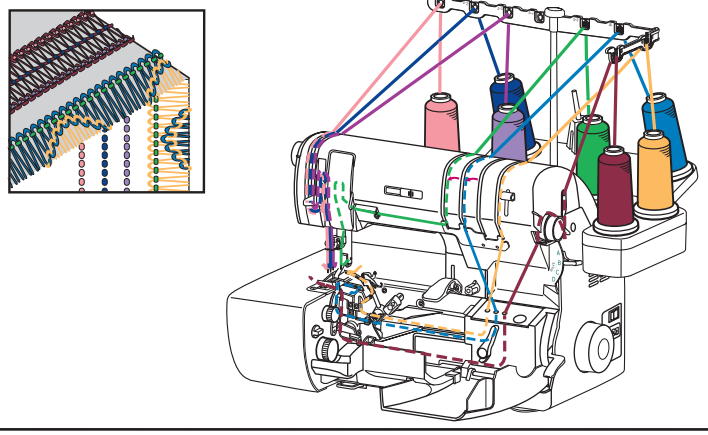
### 3-Thread Reversed Wave

C1	C2	C3	O1	O2	Length 0.75-2.5	Width 5.0	Stitch Selector B	Wave Selector WAVE	Chain Needle Tension —	Chain Looper Tension —
Upper Looper Selector down		Blade Position up			Knife Cover		Subsidiary Looper			

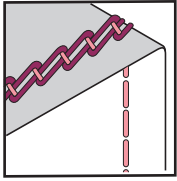


### 7-Thread Triple Cover + 3-Thread Reversed Wave

C1	C2	C3	O1	O2	Length 1.5-2.5	Width 5.0	Stitch Selector B	Wave Selector WAVE	Chain Needle Tension 4-6	Chain Looper Tension COVER
Upper Looper Selector down		Blade Position up			Knife Cover		Subsidiary Looper			



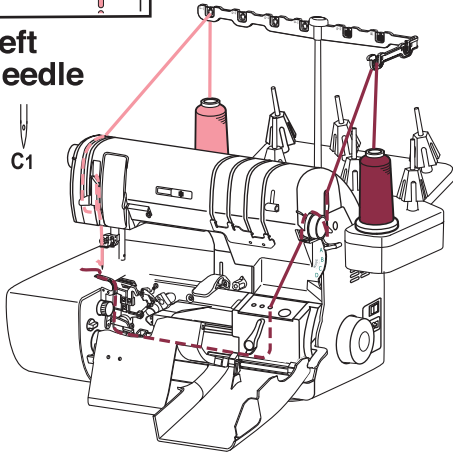
### Chain Stitch-Left / Center / Right Needle



Length	Width	Stitch Selector	Wave Selector	Chain Needle Tension	Chain Looper Tension	Upper Looper Selector	Blade Position	Sewing Table	Subsidiary Looper
2.0-4.0	—	—	—	4-6	CHAIN	<b>down</b> up	LOCK		—

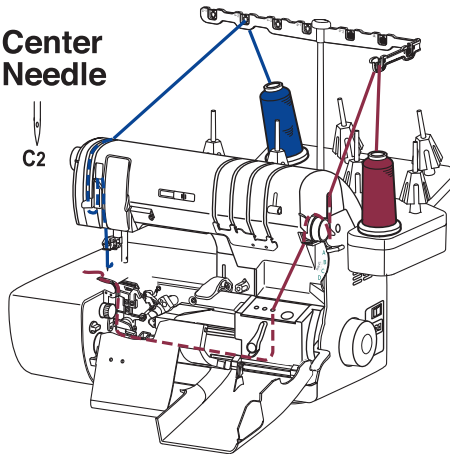
**Left Needle**

C1



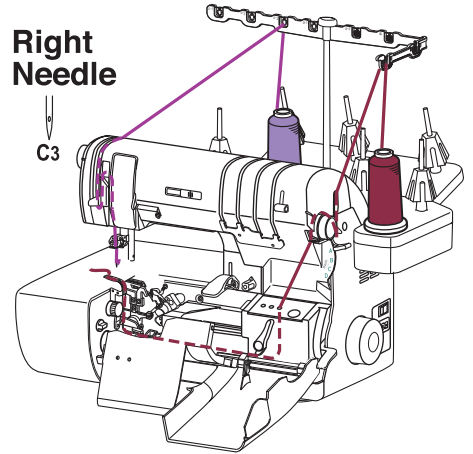
**Center Needle**

C2



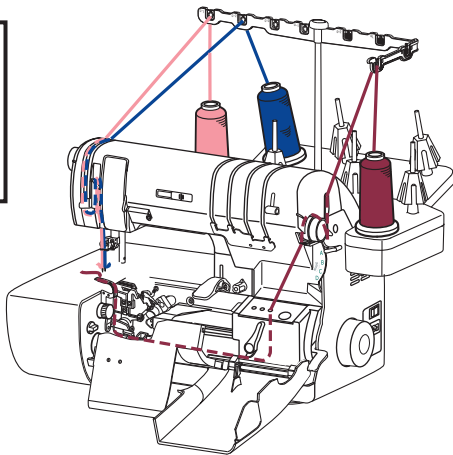
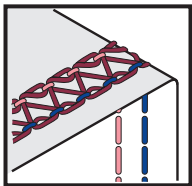
**Right Needle**

C3



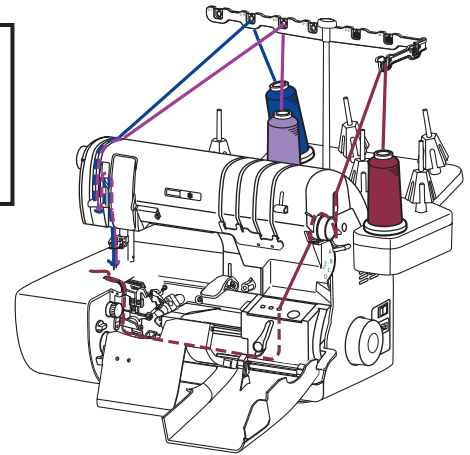
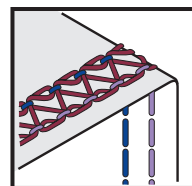
### Cover Stitch-Left Narrow

C1	C2	C3	O1	O2	Length	Width	Stitch Selector	Wave Selector	Chain Needle Tension	Chain Looper Tension
↓	↓	↓	↓	↓	2.0-4.0	—	—	—	4-6	COVER
Upper Looper Selector		Blade Position		Sewing Table		Subsidiary Looper				
<b>down</b> up		LOCK				—				



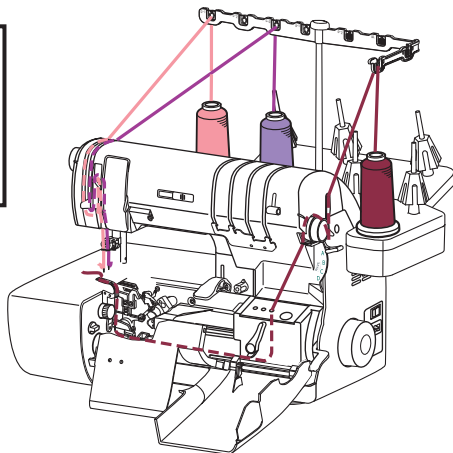
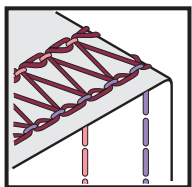
### Cover Stitch-Right Narrow

C1	C2	C3	O1	O2	Length	Width	Stitch Selector	Wave Selector	Chain Needle Tension	Chain Looper Tension
↓	↓	↓	↓	↓	2.0-4.0	—	—	—	4-6	COVER
Upper Looper Selector		Blade Position		Sewing Table		Subsidiary Looper				
<b>down</b> up		LOCK				—				



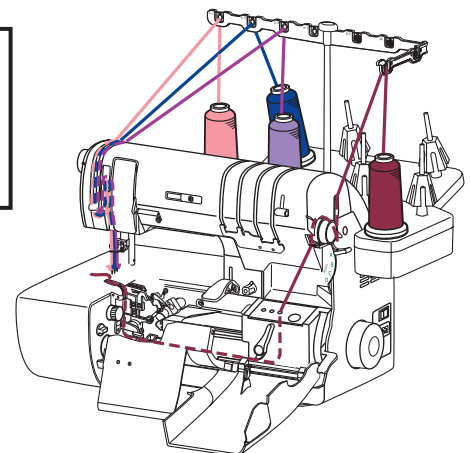
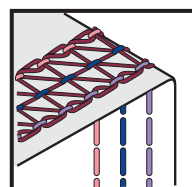
### Cover Stitch-Wide

C1	C2	C3	O1	O2	Length	Width	Stitch Selector	Wave Selector	Chain Needle Tension	Chain Looper Tension
↓	↓	↓	↓	↓	2.0-4.0	—	—	—	4-6	COVER
Upper Looper Selector		Blade Position		Sewing Table		Subsidiary Looper				
<b>down</b> up		LOCK				—				



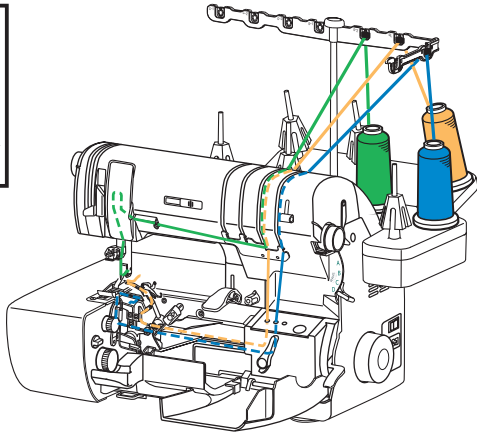
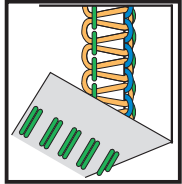
### Triple Cover Stitch

C1	C2	C3	O1	O2	Length	Width	Stitch Selector	Wave Selector	Chain Needle Tension	Chain Looper Tension
↓	↓	↓	↓	↓	2.0-4.0	—	—	—	4-6	COVER
Upper Looper Selector		Blade Position		Sewing Table		Subsidiary Looper				
<b>down</b> up		LOCK				—				



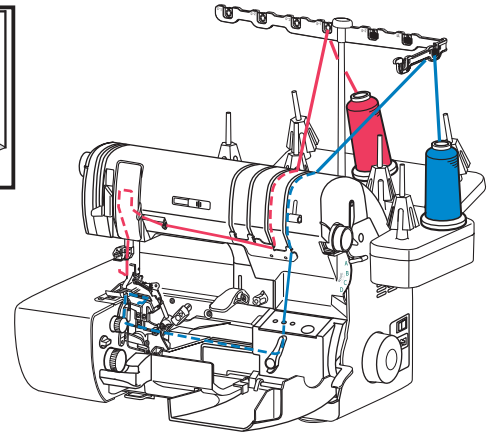
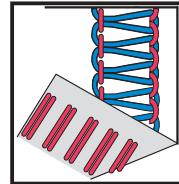
### 3-Thread Flatlock-Narrow

C1	C2	C3	O1	O2	Length	Width	Stitch Selector	Wave Selector	Chain Needle Tension	Chain Looper Tension
					2-4	3.0-3.5	D	OVERLOCK	—	—
Upper Looper Selector down		Blade Position		Knife Cover		Subsidiary Looper				
up		LOCK								



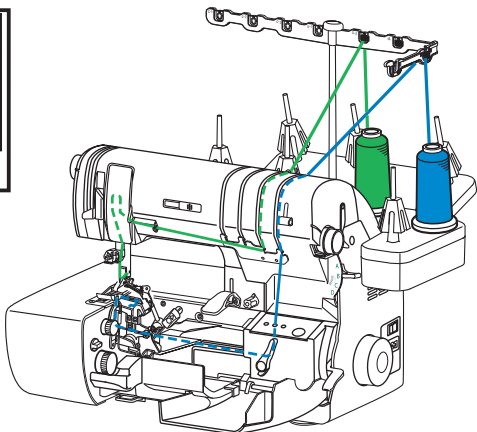
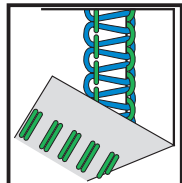
### 2-Thread Flatlock-Wide

C1	C2	C3	O1	O2	Length	Width	Stitch Selector	Wave Selector	Chain Needle Tension	Chain Looper Tension
					2-4	7.5	A	OVERLOCK	—	—
Upper Looper Selector down		Blade Position		Knife Cover		Subsidiary Looper				
up		LOCK								



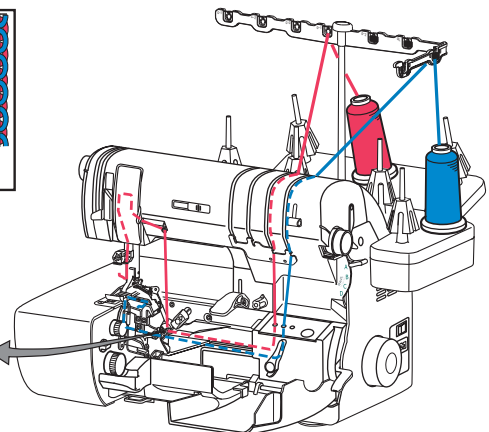
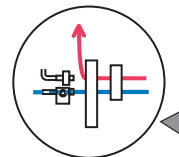
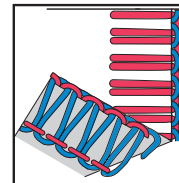
### 2-Thread Flatlock-Narrow

C1	C2	C3	O1	O2	Length	Width	Stitch Selector	Wave Selector	Chain Needle Tension	Chain Looper Tension
					2-4	3.5	B	OVERLOCK	—	—
Upper Looper Selector down		Blade Position		Knife Cover		Subsidiary Looper				
up		up								



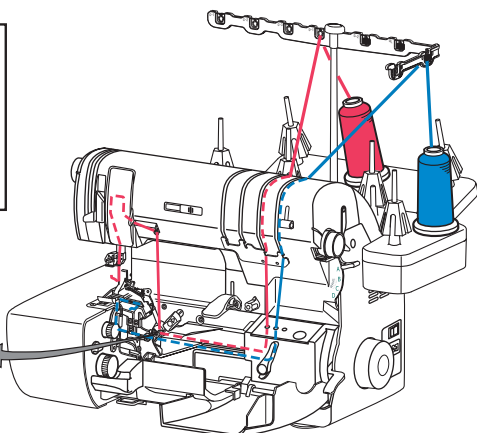
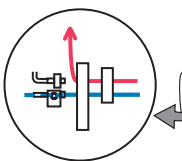
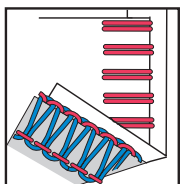
### 2-Thread Blanket Stitch

Size 90 Top Stitch Needle	C1	C2	C3	O1	O2	Length	Width	Stitch Selector	Wave Selector	Chain Needle Tension	Chain Looper Tension
						3-4	7.5	A	OVERLOCK	—	—
Upper Looper Selector down		Blade Position		Knife Cover		Subsidiary Looper					
up		up									



### 2-Thread Ladder Stitch

Size 90 Top Stitch Needle	C1	C2	C3	O1	O2	Length	Width	Stitch Selector	Wave Selector	Chain Needle Tension	Chain Looper Tension
						3-4	7.5	A	OVERLOCK	—	—
Upper Looper Selector down		Blade Position		Knife Cover		Subsidiary Looper					
up		up									

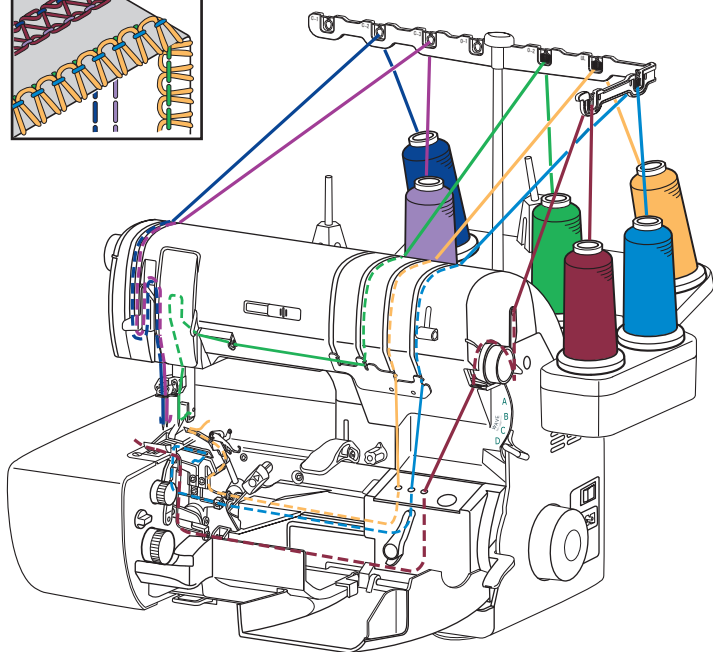
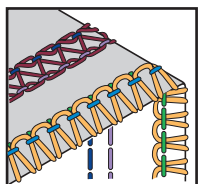


## COMBINATION

### 6-Thread

Cover Narrow Right + 3-Thread Rolled Edge

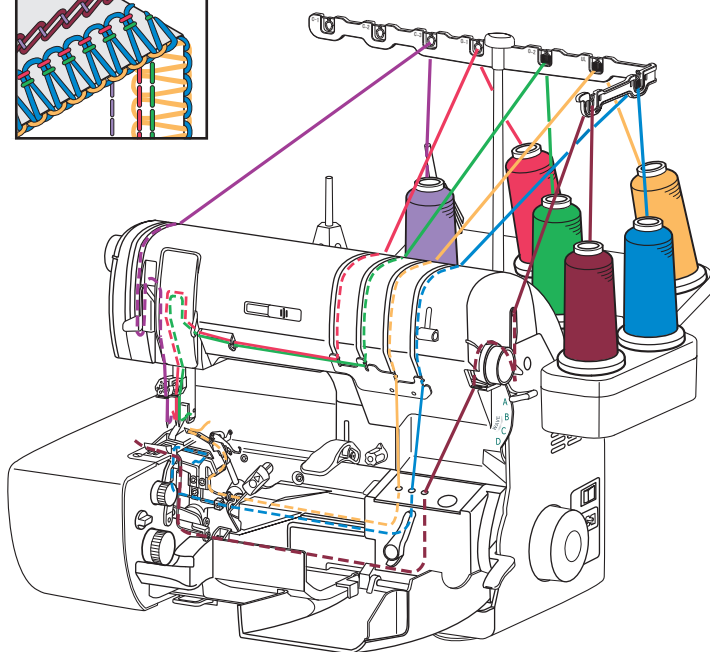
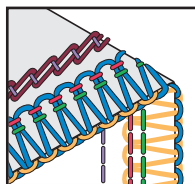
	Length 2R	Width 3.5	Stitch Selector D	Wave Selector OVERLOCK	Chain Needle Tension 4-6	Chain Looper Tension COVER
Upper Looper Selector down <b>up</b>	Blade Position up	Knife Cover	Subsidiary Looper			



### 6-Thread

Chain Stitch + 4-Thread Overlock

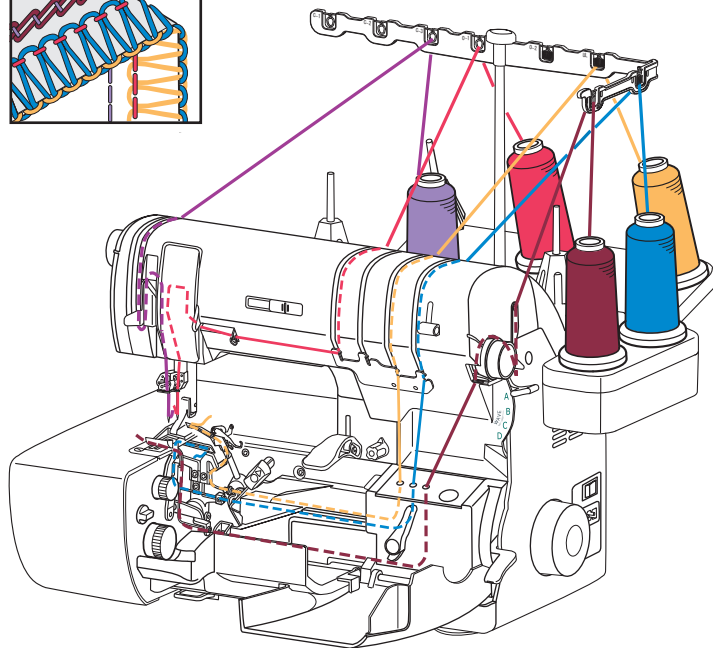
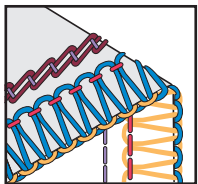
	Length 2.5-4.0	Width 7.5	Stitch Selector A	Wave Selector OVERLOCK	Chain Needle Tension 4-6	Chain Looper Tension CHAIN
Upper Looper Selector down <b>up</b>	Blade Position up	Knife Cover	Subsidiary Looper			



### 5-Thread Safety Stitch

Chain Stitch + 3-Thread Overlock Wide

	Length 2.5-4.0	Width 7.5	Stitch Selector A	Wave Selector OVERLOCK	Chain Needle Tension 4-6	Chain Looper Tension CHAIN
Upper Looper Selector down <b>up</b>	Blade Position up	Knife Cover	Subsidiary Looper			



### 4-Thread Safety Stitch

Chain Stitch + 2-Thread Overlock Wide

	Length 2.5-4.0	Width 7.5	Stitch Selector A	Wave Selector OVERLOCK	Chain Needle Tension 4-6	Chain Looper Tension CHAIN
Upper Looper Selector down <b>up</b>	Blade Position up	Knife Cover	Subsidiary Looper			

